



Your Attachment Supplier



RSP-series





ROTAR

**GET THE
RED CRUSH!**

RSP

Rotar Static Pulverizer

Incredible cutting power combined with easy to replace wear parts make this Rotar Static Pulverizer the perfect concrete pulverizer for secondary demolitions. The RSP-series can easily crush the concrete and remove the reinforcement.



Replaceable teeth

The Rotar Static Pulverizer has been fitted with rows of replaceable teeth. It is an impressive sight to see these teeth crushing through the extremely tough concrete. The design of the jaws creates powerful penetration of even the most toughest materials.

Specially developed speed valve

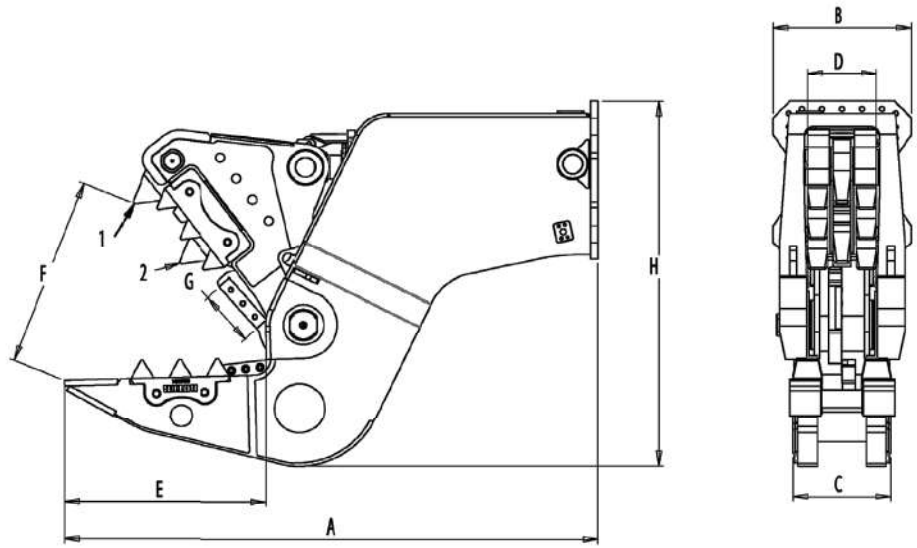
The speed valve developed by Rotar allows the jaws to close quickly and the combi shear will effortlessly switch from speed to power mode as soon as the job requires cutting power. The demolition shear's body has been assembled from high-grade and wear-resistant materials, making it extremely strong.



Cross-mounted hydraulic cylinder

The cross-mounted construction of the hydraulic cylinder ensures optimal efficiency of the cutting power and a compact design with a favourable centre of gravity. The large diameter of hoses, bores and pipes reduces the back pressure in the hydraulic system and contributes to the extraordinary feats this pulverizer can pull off.

Specifications



Type RSP	20 S	25 S	30 S	40 S
Information				
Machine class (lbs)	35,280 - 55,120	44,100 - 66,100	55,100 - 83,800	70,550 - 110,230
Weight (lbs)*	4,300	5,182	6,990	9,040
Cycle open/close (s.)	2,2 - 1	2,3 - 1,4	3,4 - 1,9	4,3 - 2,9
Closing force at tip of jaw 1 (t)	62	70	80	115
Closing force at tip of jaw 2 (t)	93	105	127	155
Rotar Hole-pattern	140-150	140-150	140-150	140-150
Dimensions				
Dimension A (inch)	90	94	107	124
Dimension B (inch)	25	24	24	25
Dimension C (inch)	16	17	19	22
Dimension D (inch)	13	12	16	19
Dimension E (inch)	34	36	38	46
Dimension F (inch)	32	34	40	46
Dimension G (inch)	8	8	10	12
Dimension H (inch)	65	65	67	79
Hydraulic				
Max. operating pressure motor (bar)	350	350	350	350
Oil volume cylinder (L/min)	150 - 225	150 - 250	150 - 250	250 - 300
Connector size	SAE 1"	SAE 1"	SAE 1"	SAE 1 1/4 "

* Dimensions under construction

** Weight exclusive adapterplate with bracket

Rotar North America, Inc
38319 Western Parkway (Unit-D)
Willoughby, Ohio 44094

Telephone 440-953-1022
E-mail sales@rotar.com
Website www.rotar.com